

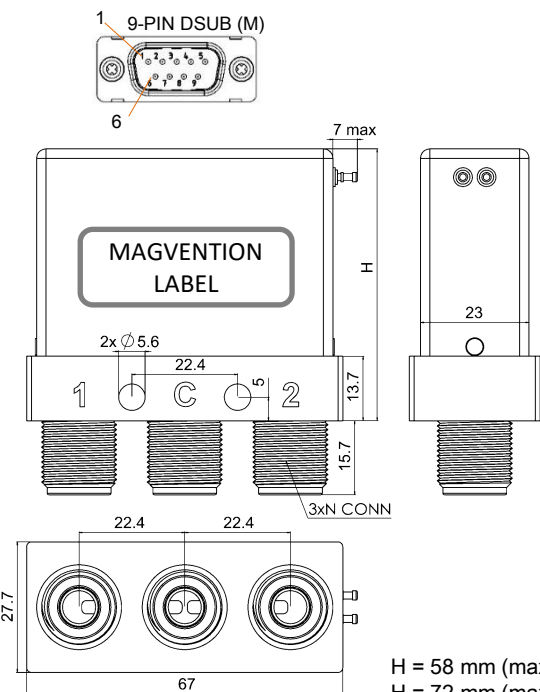
The MC4-N12 Series features N-type connectors and an operation frequency range of DC to 12.4GHz. This series is available with failsafe, latching self-cutoff or pulse latching, TTL, and coil suppression options.



Specifications	
Contact Material	Plated Au
Switching Sequence	Break before Make
Switching Time (max)	15msec
Impedance	50Ω
Temperature Range	-25°C to +65°C -55°C to +85°C ("e" option)
Relative Humidity	5 to 85%
Operation Life (cycles)	1000000
Vibration Operating	10G RMS, 20-2000Hz
Mechanical Shock (non-operating)	50G, 1/2 Sine, 11msec
Weight (approx.)	260g

Frequency Range (GHz)	VSWR (max)	Insertion Loss (dB) (max)	Isolation (dB) (min)
DC-2	1.15	0.20	80
2-4	1.20	0.25	80
4-12.4	1.50	0.50	60

Voltage (VDC)		12	18	24	28
		Current (mA)	Failsafe 270 Latching 310	220 250	150 170



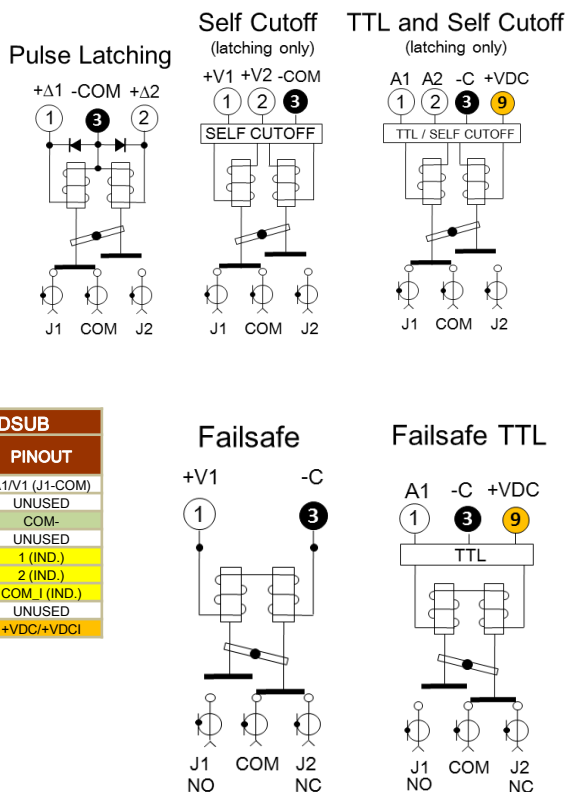
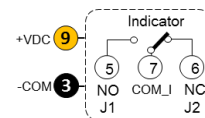
H = 58 mm (max) side Solder Pins
H = 72 mm (max) top DSUB9

Mechanical drawings (unit: mm, tolerance +/-0.5mm).

Optional Indicator Specifications

Max withstand voltage: 60V
Max current capacity: 100mA
Max "ON" resistance: 16Ω

Note: +VDC and -C must be connected to operate.



Pin No.	PINOUT
1	A1/V1 (J1-COM)
2	UNUSED
3	COM-
4	UNUSED
5	1 (IND.)
6	2 (IND.)
7	COM_I (IND.)
8	UNUSED
9	+VDC/+VDCI

The **MC4-SC06** Series features SC-type connectors and an operation frequency range of DC to 6GHz. This series is available with failsafe, latching self-cutoff or pulse latching, TTL, and coil suppression options.

FAILSAFE or LATCHING



Photo shown is a standard MC4-N-type.

Specifications	
Contact Material	Plated Au
Switching Sequence	Break before Make
Switching Time (max)	15msec
Impedance	50Ω
Temperature Range (operating)	-25°C to +65°C (Standard) -55°C to +85°C ("e" option)
Temperature (storage)	-55° C to +70° C
Relative Humidity	5 to 85%
Operation Life (cycles)	1000000
Vibration Operating	10G RMS, 20-2000Hz
Mechanical Shock (non-operating)	50G, 1/2 Sine, 11msec
Weight (approx.)	260g

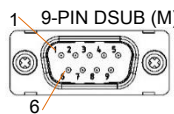
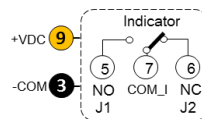
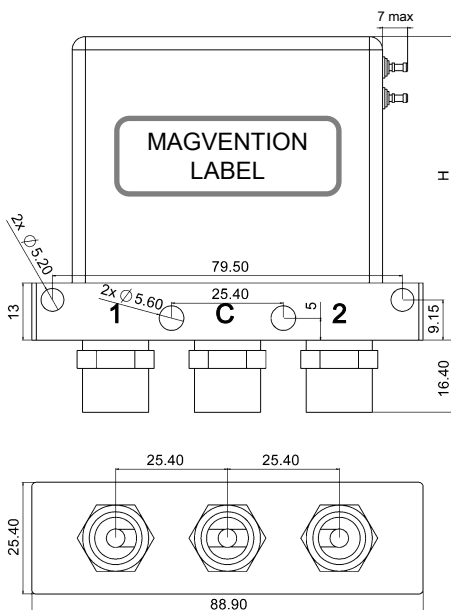
Frequency Range (GHz)	VSWR (max)	Insertion Loss (dB) (max)	Isolation (dB) (min)
DC-2	1.15	0.20	70
2-4	1.30	0.30	60
4-6.5	1.50	0.50	60

Note: The listed RF results are for the model with standard power. Consult with the company for the high-power versions.

Voltage (VDC)		12	18	24	28
Current (mA)	Failsafe	270	220	150	110
	Latching	310	250	170	130

- Contact company if reduced coil current is required. Other coil voltage options are available upon request.

Note: The listed coil currents are for the model with standard power. Consult with the company for the high-power versions.



Optional Indicator Specifications

Max withstand voltage: 60V
Max current capacity: 100mA
Max "ON" resistance: 16W

Note: +VDC and -C must be connected to operate.

Solder Pins or DSUB 9

FAILSAFE	
Pin No.	PINOUT
1	A1/V1 (J1-COM)
2	UNUSED
3	COM-
4	UNUSED
5	1 (IND.)
6	2 (IND.)
7	COM_1 (IND.)
8	UNUSED
9	+VDC/+VDCI

LATCHING	
Pin No.	PINOUT
1	A1/V1 (J1-COM)
2	A2/V2 (J2-COM)
3	COM-
4	UNUSED
5	1 (IND.)
6	2 (IND.)
7	COM_1 (IND.)
8	UNUSED
9	+VDC/+VDCI

H = 58 mm (max) side Solder Pins
H = 72 mm (max) top DSUB9

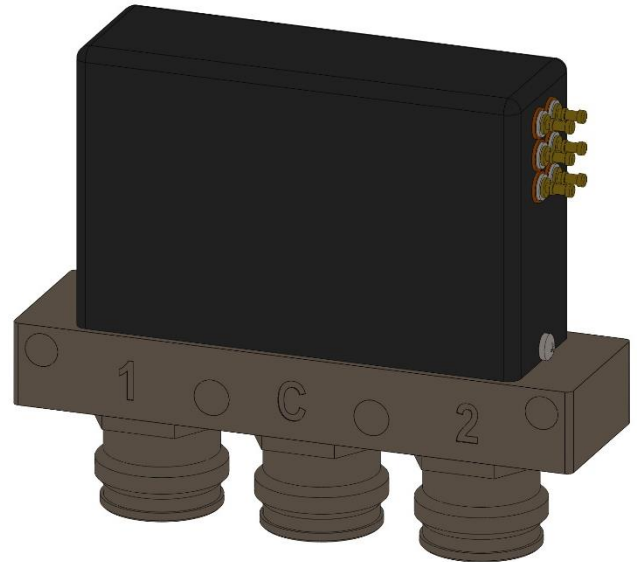
Mechanical drawings (unit: mm, tolerance +/-0.5mm).

MC4-R06

SPDT, 4.3-10, DC-6GHz

The MC4-R06 Series features 4.3-10-type connectors and an operation frequency range of DC to 6GHz. This series is available with failsafe, latching self-cutoff or pulse latching, TTL, and coil suppression options.

FAILSAFE or LATCHING



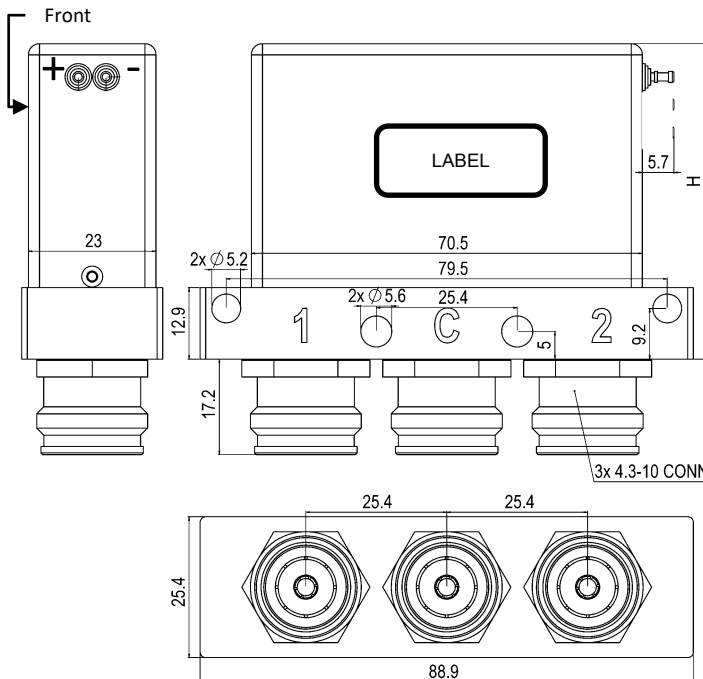
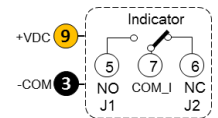
Specifications	
Contact Material	Plated Au
Switching Sequence	Break before Make
Switching Time (max)	20msec
Impedance	50Ω
Temperature Range	-25°C to +65°C -55°C to +85°C ("e" option)
Relative Humidity	5 to 85%
Operation Life (cycles)	1000000
Vibration Operating	10G RMS, 20-2000Hz
Mechanical Shock (non-operating)	50G, 1/2 Sine, 11msec
Weight (approx.)	

Frequency Range (GHz)	VSWR (max)	Insertion Loss (dB) (max)	Isolation (dB) (min)
DC-3	1.30	0.30	70
3-4	1.40	0.40	60
4-6	1.50	0.50	60

Voltage (VDC)		12	18	24	28
Current (mA)	Failsafe	270	220	150	110
	Latching	310	250	170	130

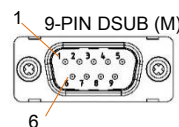
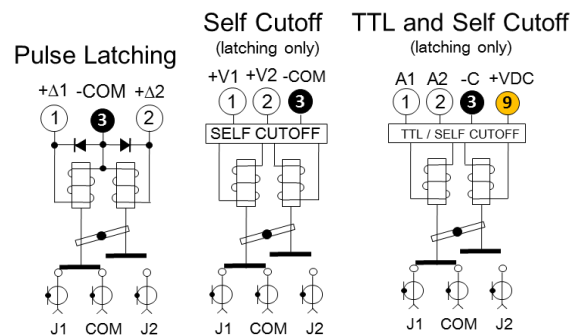
Solder Pin Assignments are marked on the product.

Optional Indicator Specifications
 Max withstand voltage: 60V
 Max current capacity: 100mA
 Max "ON" resistance: 16Ω
 Note: +VDC and -C must be connected to operate.



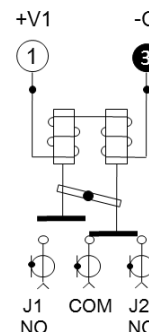
H = 58 mm (max) side Solder Pins
 H = 72 mm (max) top DSUB9

Mechanical drawings (unit: mm, tolerance +/-0.5mm).



Pin No	PINOUT
1	A1/M1 (J1-COM)
2	UNUSED
3	COM-
4	UNUSED
5	1 (IND.)
6	2 (IND.)
7	COM. J (IND.)
8	UNUSED
9	+VDC/+VDCI

Failsafe



Failsafe TTL

