

MCA4-C05

1P4T, SC, DC-5GHz

MCA_n: n=3-4 (e.g., n=4 for 1P4T)

NORMALLY OPEN or LATCHING

The **MCA4-C05** product features SC connectors and an operation frequency range of DC to 5 GHz. This product can be of failsafe or latching type. The options include TTL, SELF CUTOFF, and suppression diodes, etc.

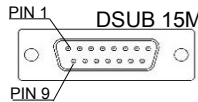
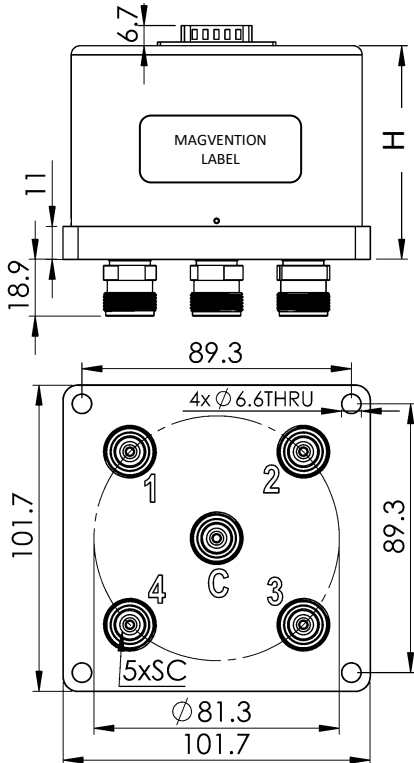


Specifications	
Contact Material	Plated Au
Switching Sequence	Break before Make
Switching Time (max)	15msec
Impedance	50Ω
Temperature Range	-25°C to +65°C -55°C to +85°C ("e" option)
Relative Humidity	5 to 85%
Operation Life (cycles)	1000000
Vibration Operating	10G RMS, 20-2000Hz
Mechanical Shock (non-operating)	50G, 1/2 Sine, 11msec
Weight (approx.)	

Voltage (VDC)		12	18	24	28
Current (mA)	Normally Open	310	250	170	130
	Latching (set)	380	300	210	180

Frequency Range (GHz)	VSWR (max)	Insertion Loss (dB) (max)	Isolation (dB) (min)
DC-3	1.3	0.3	70
3-5	1.5	0.5	60

Other options are available upon request.



MCA4-, 1P4T SWITCH
MCA3-, 1P3T SWITCH

1PnT PORT CONFIGURATIONS				
1PnT	Ports Used			
1P4T	1	2	3	4
1P3T	1	2	3	

Note: "Blank" represents the unused RF and corresponding control ports.

OPTIONAL INDICATOR	
Pin No.	PINOUT
7	1 (IND: J1-C)
8	2 (IND: J2-C)
9	3 (IND: J3-C)
10	4 (IND: J4-C)
11	COM_I
15	+VDCI

Optional Indicator Specifications

Max withstand voltage: 60V
Max current capacity: 100mA
Max "ON" resistance: 16Ω

Note: +VDC and -C must be connected to operate.

NORMALLY OPEN 15-PIN D-SUB PINOUT	
Pin No.	PINOUT
n=1-4	V _n (J _n -COM)
5	COM(-)
6-15	UNUSED

NORMALLY OPEN TTL 15-PIN D-SUB PINOUT	
Pin No.	PINOUT
n=1-4	A _n (J _n -COM)
5	COM(-)
6-14	UNUSED
15	+VDC

LATCHING (PULSE) 15-PIN D-SUB PINOUT	
Pin No.	PINOUT
n=1-4	+ΔV _n (J _n -COM)
5	COM(-)
6	+ΔVR (Reset ALL OPEN)
7-15	UNUSED

LATCHING TTL 15-PIN D-SUB PINOUT	
Pin No.	PINOUT
n=1-4	A _n (J _n -COM)
5	COM(-)
6	AR (Reset ALL OPEN)
7-14	UNUSED
15	+VDC

LATCHING SELF CUTOFF 15-PIN D-SUB PINOUT	
Pin No.	PINOUT
n=1-4	V _n (J _n -COM)
5	COM(-)
6-15	UNUSED

LATCHING TTL & SELF CUTOFF 15-PIN D-SUB PINOUT	
Pin No.	PINOUT
n=1-4	A _n (J _n -COM)
5	COM(-)
6-14	UNUSED
15	+VDC

Pin 1-4: The corresponding control signal inputs.

Mechanical drawings (unit: mm, tolerance +/-0.5mm).