

# MCH8-N

# 1P8T, N, DC-8GHz

MCHn: n=7-8 (e.g., n=8 for 1P8T)

**NORMALLY OPEN**

The MCHn- series features 1P8T with N or SC-type connectors and an operation frequency range from DC to 8 GHz. This product is of NORMALLY OPEN type. The options include TTL and coil suppression diodes etc.



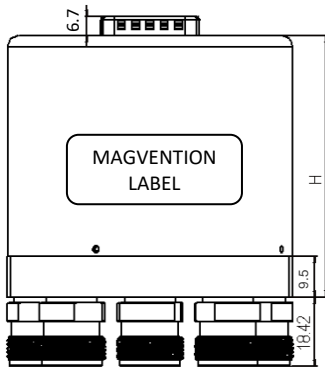
Specifications	
Contact Material	Plated Au
Switching Sequence	Break before Make
Switching Time (max)	15msec
Impedance	50Ω
Temperature Range	-25°C to +65°C -55°C to +85°C ("e" option)
Relative Humidity	5 to 85%
Operation Life (cycles)	1000000
Vibration Operating	10G RMS, 20-2000Hz
Mechanical Shock (non-operating)	50G, 1/2 Sine, 11msec
Weight (approx.)	600g

Frequency Range (GHz)	VSWR (max)	Insertion Loss (dB) (max)	Isolation (dB) (min)
DC-3	1.3	0.3	70
3-4	1.4	0.4	60
4-8	1.5	0.5	50

Voltage (VDC)		12	18	24	28
Current (mA)	Normally Open	230	160	140	120

Other options are available upon request.

Higher frequency ranges are available upon request.



MCH8-, 1P8T SWITCH  
MCH7-, 1P7T SWITCH

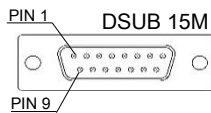
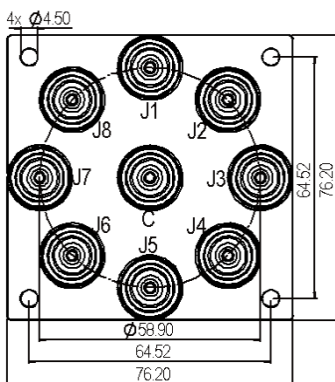
1PnT PORT CONFIGURATIONS	
1PnT	Ports Used
1P8T	1 2 3 4 5 6 7 8
1P7T	1 2 3 4 5 6 7

Note: "Blank" represents the unused RF and corresponding control ports.

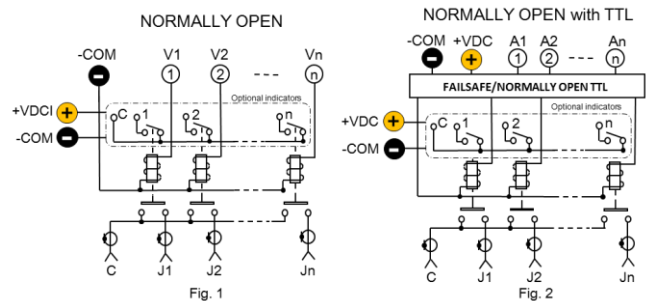
NORMALLY OPEN 15-PIN D-SUB PINOUT	
Pin No.	PINOUT
n=1-8	Vn ( Jn-COM )
9	COM(-)
10-15	UNUSED

NORMALLY OPEN With TTL 15-PIN D-SUB PINOUT	
Pin No.	PINOUT
n=1-8	An ( Jn-COM )
9	COM(-)
10-14	UNUSED
15	+VDC

Pin 1-8: The corresponding control signal inputs.



H = 70 mm max (Standard)  
= 80 mm (max) (with TTL)



Mechanical drawings (unit: mm, tolerance +/-0.5mm).