

MCLn: n=11-12 (e.g., n=12 for 1P12T)

NORMALLY OPEN

The **MCL12** product features SMA connectors and an operation frequency range of DC to 16 GHz. Higher frequency ranges are available. This product is of failsafe type with a compact design. The product options include TTL, suppression diodes, indicators, etc.



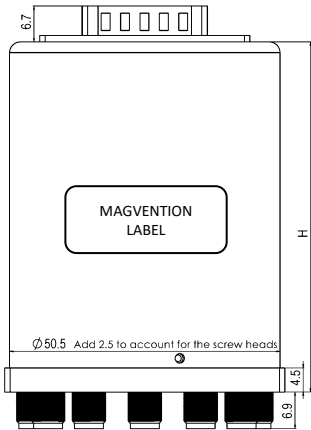
Specifications	
Contact Material	Plated Au
Switching Sequence	Break before Make
Switching Time (max)	15msec
Impedance	50Ω
Temperature Range	-25°C to +65°C -55°C to +85°C ("e" option)
Relative Humidity	5 to 85%
Operation Life (cycles)	1000000
Vibration Operating	10G RMS, 20-2000Hz
Mechanical Shock (non-operating)	50G, 1/2 Sine, 11msec
Weight (approx.)	280g

Voltage (VDC)		12	18	24	28
Current (mA)	NORMALLY OPEN	290	190	150	140

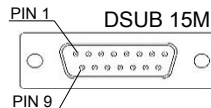
Frequency Range (GHz)	VSWR (max)	Insertion Loss (dB) (max)	Isolation (dB) (min)
DC-4	1.2	0.2	70
4-8	1.4	0.4	65
8-12.4	1.5	0.6	60
12.4-16	1.6	0.6	60

Higher frequency ranges are available upon request.

Other options are available upon request.



MCL11-,1P11T SWITCH
MCL12-,1P12T SWITCH



Optional Indicator Specifications

Max withstand voltage: 60V
Max current capacity: 100mA
Max "ON" resistance: 16Ω

Note: +VDC and -C must be connected to operate.

H = 62 (max) (STANDARD)
= 72 (max) (with TTL)

1PnT PORT CONFIGURATIONS

1PnT	Ports Used											
1P12T	1	2	3	4	5	6	7	8	9	10	11	12
1P11T	1	2	3	4	5	6	7	8	9	10	11	

Note: "Blank" represents the unused RF and corresponding control ports.

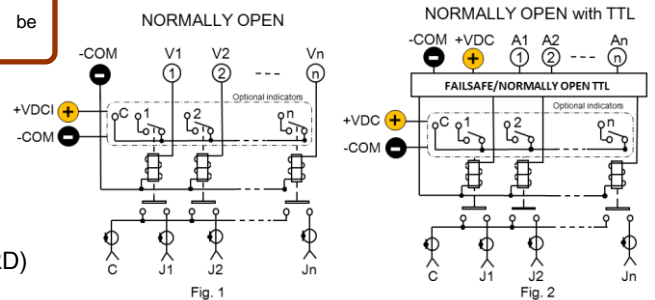
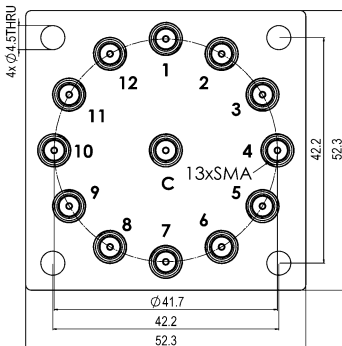
NORMALLY OPEN 15-PIN D-SUB PINOUT

Pin No.	PINOUT
n=1-12	Vn (Jn-COM)
13	COM(-)
14-15	UNUSED

NORMALLY OPEN with TTL 15-PIN D-SUB PINOUT

Pin No.	PINOUT
n=1-12	An (Jn-COM)
13	COM(-)
14	UNUSED
15	+VDC

Pin 1-10: The corresponding control signal inputs.



Mechanical drawings (unit: mm, tolerance +/-0.5mm).